

## LM3916 Dot/Bar Display Driver

Check for Samples: [LM3916](#)

### FEATURES

- **Fast Responding Electronic VU Meter**
- **Drivers LEDs, LCDs, or Vacuum Fluorescents**
- **Bar or Dot Display Mode Externally Selectable by User**
- **Expandable to Displays of 70 dB**
- **Internal Voltage Reference from 1.2V to 12V**
- **Operates with Single Supply of 3V to 25V**
- **Inputs Operate Down to Ground**
- **Output Current Programmable from 1 mA to 30 mA**
- **Input Withstands  $\pm 35V$  without Damage or False Outputs**
- **Outputs are Current Regulated, Open Collectors**
- **Directly Drives TTL or CMOS**
- **The Internal 10-step Divider is Floating and can be Referenced to a Wide Range of Voltages**

**The LM3916 is Rated for Operation from 0°C to +70°C. The LM3916N-1 is Available in an 18-lead PDIP Package.**

### DESCRIPTION

The LM3916 is a monolithic integrated circuit that senses analog voltage levels and drives ten LEDs, LCDs or vacuum fluorescent displays, providing an electronic version of the popular VU meter. One pin changes the display from a bar graph to a moving dot display. LED current drive is regulated and programmable, eliminating the need for current limiting resistors. The whole display system can operate from a single supply as low as 3V or as high as 25V.

The IC contains an adjustable voltage reference and an accurate ten-step voltage divider. The high-impedance input buffer accepts signals down to ground and up to within 1.5V of the positive supply. Further, it needs no protection against inputs of  $\pm 35V$ . The input buffer drives 10 individual comparators referenced to the precision divider. Accuracy is typically better than 0.2 dB.

Audio applications include average or peak level indicators, and power meters. Replacing conventional meters with an LED bar graph results in a faster responding, more rugged display with high visibility that retains the ease of interpretation of an analog display.

The LM3916 is extremely easy to apply. A 1.2V full-scale meter requires only one resistor in addition to the ten LEDs. One more resistor programs the full-scale anywhere from 1.2V to 12V independent of supply voltage. LED brightness is easily controlled with a single pot.

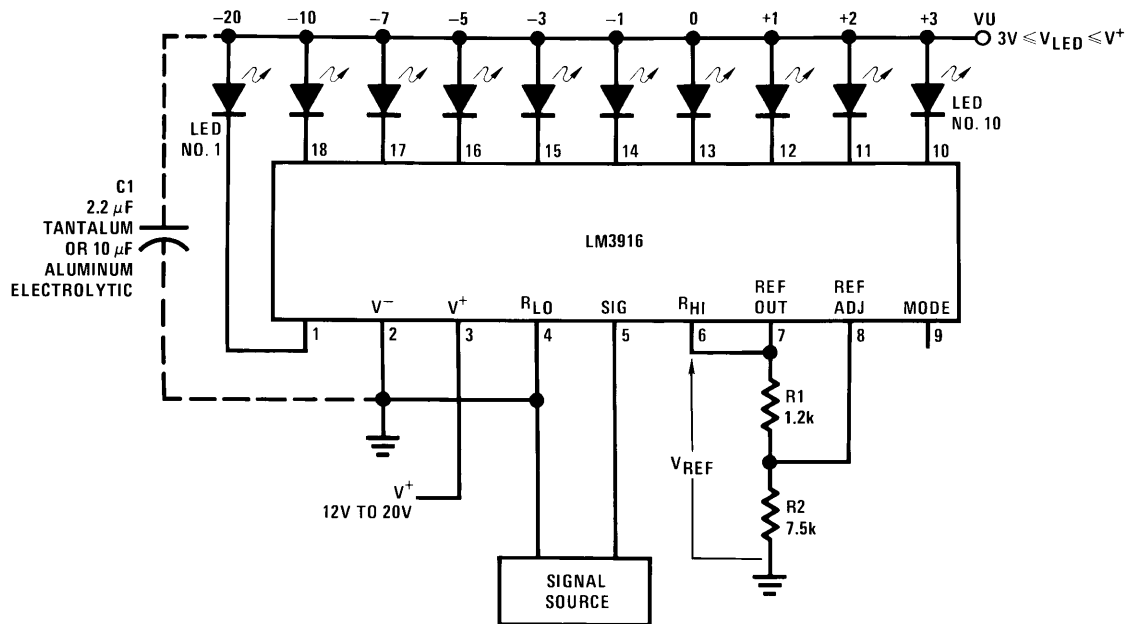
The LM3916 is very versatile. The outputs can drive LCDs, vacuum fluorescents and incandescent bulbs as well as LEDs of any color. Multiple devices can be cascaded for a dot or bar mode display for increased range and/or resolution. Useful in other applications are the linear LM3914 and the logarithmic LM3915.



Please be aware that an important notice concerning availability, standard warranty, and use in critical applications of Texas Instruments semiconductor products and disclaimers thereto appears at the end of this data sheet.

All trademarks are the property of their respective owners.

## Typical Applications



$$V_{REF} = 1.25V \left( 1 + \frac{R2}{R1} \right) + R2 \times 80 \mu A$$

$$I_{LED} = \frac{12.5V}{R1} + \frac{V_{REF}}{2.2 k\Omega}$$

**Notes:** Capacitor C1 is required if leads to the LED supply are 6" or longer.

Circuit as shown is wired for dot mode. For bar mode, connect pin 9 to pin 3.  $V_{LED}$  must be kept below 7V or dropping resistor should be used to limit IC power dissipation.

**Figure 1. 0V to 10V VU Meter**



These devices have limited built-in ESD protection. The leads should be shorted together or the device placed in conductive foam during storage or handling to prevent electrostatic damage to the MOS gates.

## ABSOLUTE MAXIMUM RATINGS<sup>(1)(2)</sup>

Power Dissipation <sup>(3)</sup>	
PDIP (NFK)	1365 mW
Supply Voltage	25V
Voltage on Output Drivers	25V
Input Signal Overvoltage <sup>(4)</sup>	±35V
Divider Voltage	-100 mV to V <sup>+</sup>
Reference Load Current	10 mA
Storage Temperature Range	-55°C to +150°C
Lead Temperature (Soldering, 10 seconds)	260°C

- (1) Absolute Maximum Ratings indicate limits beyond which damage to the device may occur. Operating ratings indicate conditions for which the device is functional, but do not ensure specific performance limits. Electrical Characteristics state DC and AC electrical specifications under particular test conditions which ensure specific performance limits. This assumes that the device is within the Operating Ratings. Specifications are not specified for parameters where no limit is given, however, the typical value is a good indication of device performance.
- (2) If Military/Aerospace specified devices are required, please contact the Texas Instruments Sales Office/Distributors for availability and specifications.
- (3) The maximum junction temperature of the LM3916 is 100°C. Devices must be derated for operation at elevated temperatures. Junction to ambient thermal resistance is 55°C/W for the PDIP (NFK package).
- (4) Pin 5 input current must be limited to ±3 mA. The addition of a 39k resistor in series with pin 5 allows ±100V signals without damage.

## ELECTRICAL CHARACTERISTICS<sup>(1)(2)</sup>

Parameter	Conditions <sup>(1)</sup>	Min	Typ	Max	Units
<b>COMPARATORS</b>					
Offset Voltage, Buffer and First Comparator	$0V \leq V_{RLO} = V_{RHI} \leq 12V$ , $I_{LED} = 1 \text{ mA}$		3	10	mV
Offset Voltage, Buffer and Any Other Comparator	$0V \leq V_{RLO} = V_{RHI} \leq 12V$ , $I_{LED} = 1 \text{ mA}$		3	15	mV
Gain ( $\Delta I_{LED} / \Delta V_{IN}$ )	$I_{(REF)} = 2 \text{ mA}$ , $I_{LED} = 10 \text{ mA}$	3	8		mA/mV
Input Bias Current (at Pin 5)	$0V \leq V_{IN} \leq (V^+ - 1.5V)$		25	100	nA
Input Signal Overvoltage	No Change in Display	-35		35	V
<b>VOLTAGE DIVIDER</b>					
Divider Resistance	Total, Pin 6 to 4	8	12	17	kΩ
Relative Accuracy (Input Change Between Any Two Threshold Points)	<sup>(3)</sup> $-1 \text{ dB} \leq V_{IN} \leq 3 \text{ dB}$ $-7 \text{ dB} \leq V_{IN} \leq -1 \text{ dB}$ $-10 \text{ dB} \leq V_{IN} \leq -7 \text{ dB}$	0.75 1.5 2.5	1.0 2.0 3.0	1.25 2.5 2.5	dB dB dB
Absolute Accuracy	<sup>(3)</sup> $V_{IN} = 2, 1, 0, -1 \text{ dB}$ $V_{IN} = -3, -5 \text{ dB}$ $V_{IN} = -7, -10, -20 \text{ dB}$	-0.25 -0.5 -1		+0.25 +0.5 +1	dB dB dB
<b>VOLTAGE REFERENCE</b>					
Output Voltage	$0.1 \text{ mA} \leq I_{L(REF)} \leq 4 \text{ mA}$ , $V^+ = V_{LED} = 5Vg$	1.2	1.28	1.34	V
Line Regulation	$3V \leq V^+ \leq 18V$		0.01	0.03	%/V
Load Regulation	$0.1 \text{ mA} \leq I_{L(REF)} \leq 4 \text{ mA}$ , $V^+ = V_{LED} = 5V$		0.4	2	%

- (1) Unless otherwise stated, all specifications apply with the following conditions:  
 $3 V_{DC} \leq V^+ \leq 20 V_{DC}$      $-0.015V \leq V_{RLO} \leq 12 V_{DC}$      $T_A = 25^\circ\text{C}$ ,  $I_{L(REF)} = 0.2 \text{ mA}$ , pin 9 connected to pin 3 (bar mode).  
 $3 V_{DC} \leq V_{LED} \leq V^+$      $V_{REF}, V_{RHI}, V_{RLO} \leq (V^+ - 1.5V)$     For higher power dissipations, pulse testing is used.  
 $-0.015V \leq V_{RHI} \leq 12 V_{DC}$      $0V \leq V_{IN} \leq V^+ - 1.5V$
- (2) Pin 5 input current must be limited to ±3 mA. The addition of a 39k resistor in series with pin 5 allows ±100V signals without damage.
- (3) Accuracy is measured referred to +3 dB = +10.000 V<sub>DC</sub> at pin 5, with +10.000 V<sub>DC</sub> at pin 6, and 0.000 V<sub>DC</sub> at pin 4. At lower full-scale voltages, buffer and comparator offset voltage may add significant error. See [Threshold Voltage](#).

**ELECTRICAL CHARACTERISTICS<sup>(1)(2)</sup> (continued)**

Parameter	Conditions <sup>(1)</sup>	Min	Typ	Max	Units
Output Voltage Change with Temperature	$0^{\circ}\text{C} \leq T_A \leq +70^{\circ}\text{C}$ , $I_{L(\text{REF})} = 1 \text{ mA}$ , $V^+ = V_{\text{LED}} = 5\text{V}$		1		%
Adjust Pin Current			75	120	$\mu\text{A}$
<b>OUTPUT DRIVERS</b>					
LED Current	$V^+ = V_{\text{LED}} = 5\text{V}$ , $I_{L(\text{REF})} = 1 \text{ mA}$	7	10	13	mA
LED Current Difference (Between Largest and Smallest LED Currents)	$V_{\text{LED}} = 5\text{V}$ , $I_{\text{LED}} = 2 \text{ mA}$ $V_{\text{LED}} = 5\text{V}$ , $I_{\text{LED}} = 20 \text{ mA}$		0.12 1.2	0.4 3	mA mA
LED Current Regulation	$2\text{V} \leq V_{\text{LED}} \leq 17\text{V}$ $I_{\text{LED}} = 2 \text{ mA}$ $I_{\text{LED}} = 20 \text{ mA}$		0.1 1	0.25 3	mA mA
Dropout Voltage	$I_{\text{LED}(\text{ON})} = 20 \text{ mA}$ @ $V_{\text{LED}} = 5\text{V}$ , $\Delta I_{\text{LED}} = 2 \text{ mA}$			1.5	V
Saturation Voltage	$I_{\text{LED}} = 2.0 \text{ mA}$ , $I_{L(\text{REF})} = 0.4 \text{ mA}$		0.15	0.4	V
Output Leakage, Each Collector	Bar Mode <sup>(4)</sup>		0.1	100	$\mu\text{A}$
Output Leakage	Dot Mode <sup>(4)</sup>				
Pins 10–18			0.1	100	$\mu\text{A}$
Pin 1		60	150	450	$\mu\text{A}$
<b>SUPPLY CURRENT</b>					
Standby Supply Current (All Outputs Off)	$V^+ = +5\text{V}$ , $I_{L(\text{REF})} = 0.2 \text{ mA}$ $V^+ = +20\text{V}$ , $I_{L(\text{REF})} = 1.0 \text{ mA}$		2.4 6.1	4.2 9.2	mA mA

(4) Bar mode results when pin 9 is within 20 mV of  $V^+$ . Dot mode results when pin 9 is pulled at least 200 mV below  $V^+$ . LED #10 (pin 10 output current) is disabled if pin 9 is pulled 0.9V or more below  $V_{\text{LED}}$ .

**LM3916 THRESHOLD VOLTAGE<sup>(1)</sup>**

dB	Volts			dB	Volts		
	Min	Typ	Max		Min	Typ	Max
3	9.985	10.000	10.015	$-3 \pm \frac{1}{2}$	4.732	5.012	5.309
$2 \pm \frac{1}{4}$	8.660	8.913	9.173	$-5 \pm \frac{1}{2}$	3.548	3.981	4.467
$1 \pm \frac{1}{4}$	7.718	7.943	8.175	$-7 \pm 1$	2.818	3.162	3.548
$0 \pm \frac{1}{4}$	6.879	7.079	7.286	$-10 \pm 1$	1.995	2.239	2.512
$-1 \pm \frac{1}{2}$	5.957	6.310	6.683	$-20 \pm 1$	0.631	0.708	0.794

(1) Accuracy is measured referred to +3 dB = +10.000  $V_{\text{DC}}$  at pin 5, with +10.000  $V_{\text{DC}}$  at pin 6, and 0.000  $V_{\text{DC}}$  at pin 4. At lower full-scale voltages, buffer and comparator offset voltage may add significant error. See [Threshold Voltage](#).

TYPICAL PERFORMANCE CHARACTERISTICS

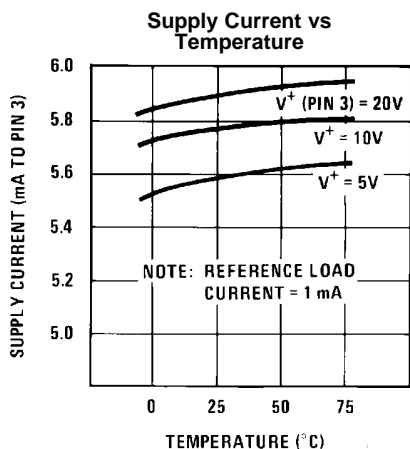


Figure 2.

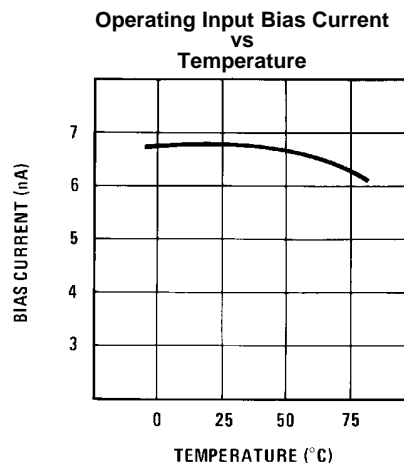


Figure 3.

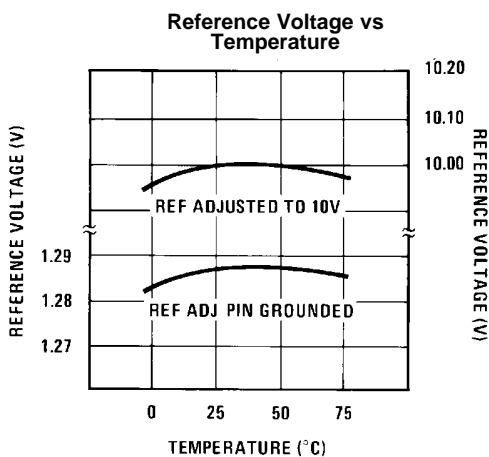


Figure 4.

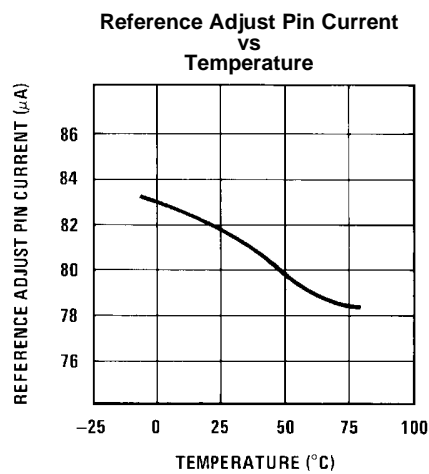


Figure 5.

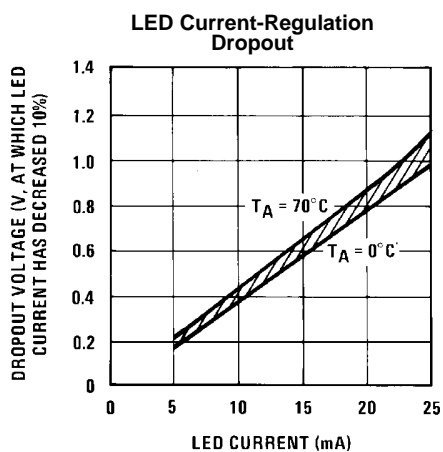


Figure 6.

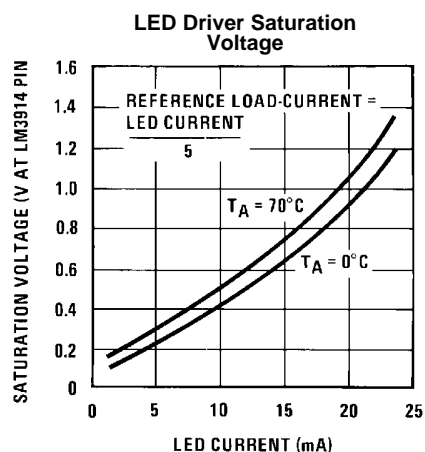


Figure 7.

**TYPICAL PERFORMANCE CHARACTERISTICS (continued)**

**Input Current Beyond LED Current vs Signal Range (Pin 5)**

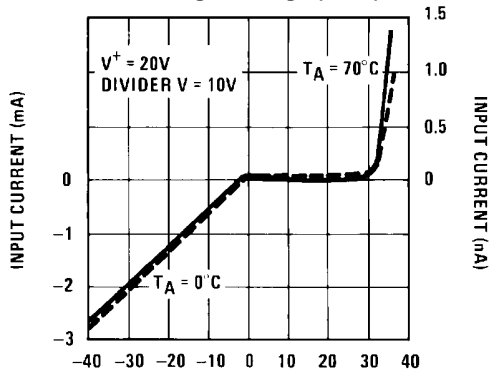


Figure 8.

**LED Current vs Referenced Loading**

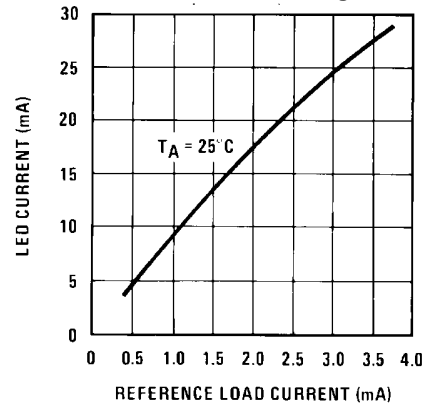


Figure 9.

**LED Driver Current Regulation**

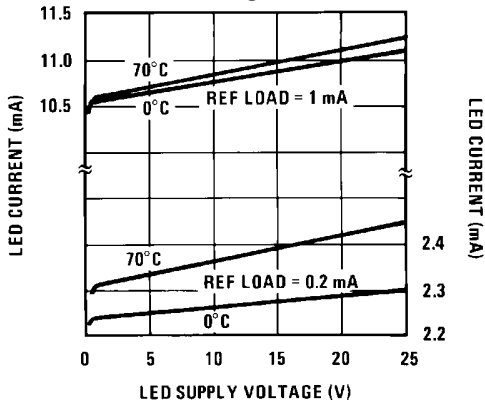


Figure 10.

**Total Divider Resistance vs Temperature**

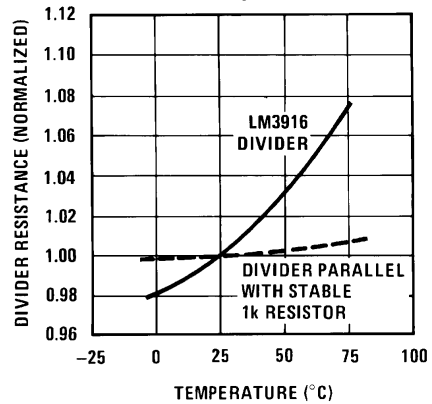


Figure 11.

**Common-Mode Limits**

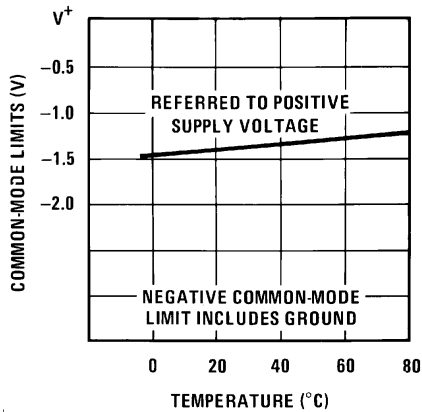


Figure 12.

**Output Characteristics**

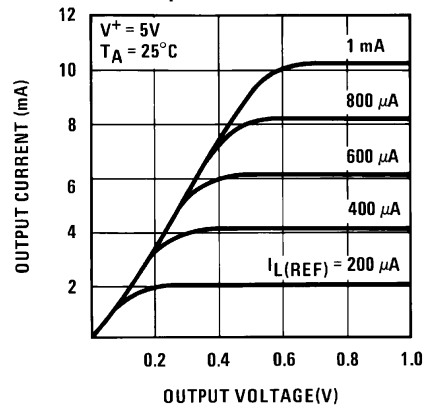
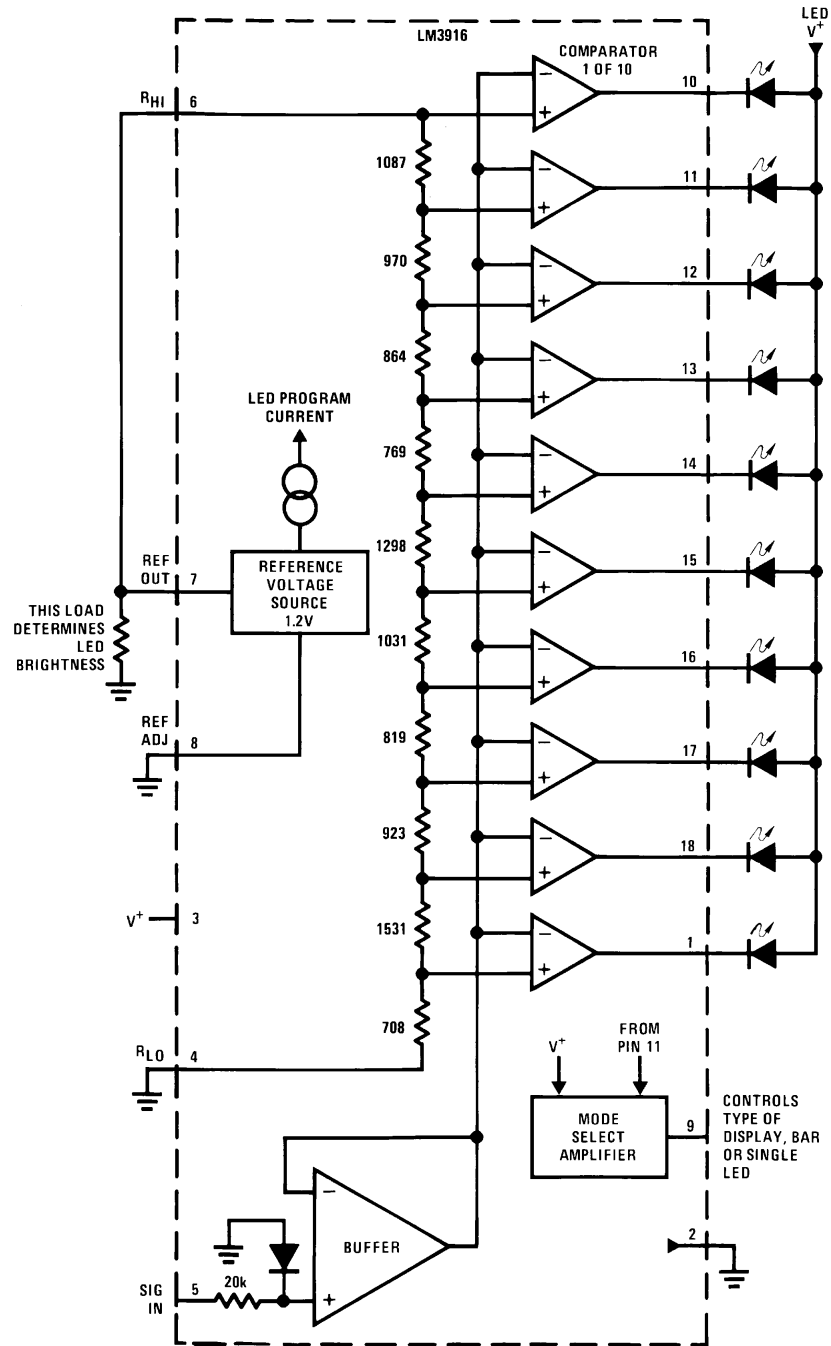


Figure 13.

BLOCK DIAGRAM

(Showing Simplest Application)



## FUNCTIONAL DESCRIPTION

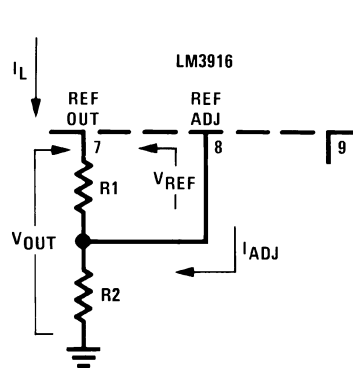
The simplified LM3916 block diagram is included to give the general idea of the circuit's operation. A high input impedance buffer operates with signals from ground to 12V, and is protected against reverse and overvoltage signals. The signal is then applied to a series of 10 comparators; each of which is biased to a different comparison level by the resistor string.

In the example illustrated, the resistor string is connected to the internal 1.25V reference voltage. As the input voltage varies from 0 to 1.25, the comparator outputs are driven low one by one, switching on the LED indicators. The resistor divider can be connected between any 2 voltages, providing that they are at least 1.5V below  $V^+$  and no lower than  $V^-$ .

## INTERNAL VOLTAGE REFERENCE

The reference is designed to be adjustable and develops a nominal 1.25V between the REF OUT (pin 7) and REF ADJ (pin 8) terminals. The reference voltage is impressed across program resistor R1 and, since the voltage is constant, a constant current  $I_1$  then flows through the output set resistor R2 giving an output voltage of:

$$V_{OUT} = V_{REF} \left( 1 + \frac{R_2}{R_1} \right) + I_{ADJ} R_2$$



Since the 120  $\mu$ A current (max) from the adjust terminal represents an error term, the reference was designed to minimize changes of this current with  $V^+$  and load changes. For correct operation, reference load current should be between 80  $\mu$ A and 5 mA. Load capacitance should be less than 0.05  $\mu$ F.

## CURRENT PROGRAMMING

A feature not completely illustrated by the block diagram is the LED brightness control. The current drawn out of the reference voltage pin (pin 7) determines LED current. Approximately 10 times this current will be drawn through each lighted LED, and this current will be relatively constant despite supply voltage and temperature changes. Current drawn by the internal 10-resistor divider, as well as by the external current and voltage-setting divider should be included in calculating LED drive current. The ability to modulate LED brightness with time, or in proportion to input voltage and other signals can lead to a number of novel displays or ways of indicating input overvoltages, alarms, etc.

The LM3916 outputs are current-limited NPN transistors as shown below. An internal feedback loop regulates the transistor drive. Output current is held at about 10 times the reference load current, independent of output voltage and processing variables, as long as the transistor is not saturated.



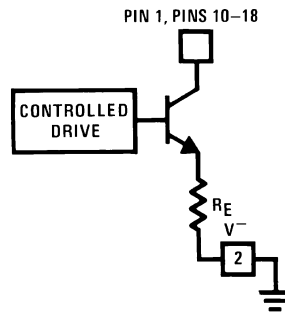


Figure 14. LM3916 Output Circuit

Outputs may be run in saturation with no adverse effects, making it possible to directly drive logic. The effective saturation resistance of the output transistors, equal to  $R_E$  plus the transistors' collector resistance, is about  $50\Omega$ . It's also possible to drive LEDs from rectified AC with no filtering. To avoid oscillations, the LED supply should be bypassed with a  $2.2\ \mu\text{F}$  tantalum or  $10\ \mu\text{F}$  aluminum electrolytic capacitor.

### MODE PIN USE

Pin 9, the Mode Select input, permits chaining of multiple devices, and controls bar or dot mode operation. The following tabulation shows the basic ways of using this input. Other more complex uses will be illustrated in the applications.

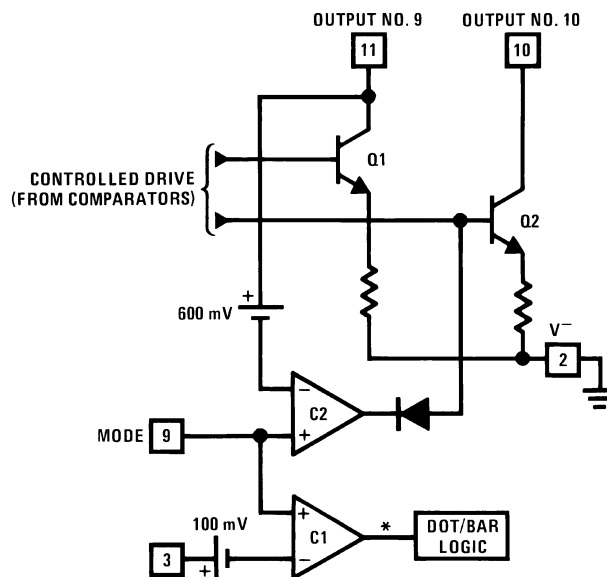
**Bar Graph Display:** Wire Mode Select (pin 9) *directly* to pin 3 ( $V^+$  pin).

**Dot Display, Single LM3916 Driver:** Leave the Mode Select pin open circuit.

**Dot Display, 20 or More LEDs:** Connect pin 9 of the *first* drivers in the series (i.e., the one with the lowest input voltage comparison points) to pin 1 of the next higher LM3916 driver. Continue connecting pin 9 of lower input drivers to pin 1 of higher input drivers for 30 or more LED displays. The last LM3916 driver in the chain will have pin 9 left open. All previous drivers should have a 20k resistor in parallel with LED #9 (pin 11 to  $V_{LED}$ ).

### Mode Pin Functional Description

This pin actually performs two functions. Refer to the [simplified block diagram](#) below.



\*High for bar

Figure 15. Block Diagram of Mode Pin Function

## DOT OR BAR MODE SELECTION

The voltage at pin 9 is sensed by comparator C1, nominally referenced to ( $V^+ - 100\text{ mV}$ ). The chip is in bar mode when pin 9 is above this level; otherwise it's in dot mode. The comparator is designed so that pin 9 can be left open circuit for dot mode.

Taking into account comparator gain and variation in the 100 mV reference level, pin 9 should be no more than 20 mV below  $V^+$  for bar mode and more than 200 mV below  $V^+$  (or open circuit) for dot mode. In most applications, pin 9 is either open (dot mode) or tied to  $V^+$  (bar mode). In bar mode, pin 9 should be connected directly to pin 3. Large currents drawn from the power supply (LED current, for example) should not share this path so that large IR drops are avoided.

## DOT MODE CARRY

In order for display to make sense when multiple drivers are cascaded in dot mode, special circuitry has been included to shut off LED #10 of the first device when LED #1 of the second device comes on. The connection for cascading in dot mode has already been described and is depicted in Figure 16.

As long as the input signal voltage is below the threshold of the second driver, LED #11 is off. Pin 9 of driver #1 thus sees effectively an open circuit so the chip is in dot mode. As soon as the input voltage reaches the threshold of LED #11, pin 9 of driver #1 is pulled an LED drop (1.5V or more) below  $V_{LED}$ . This condition is sensed by comparator C2, referenced 600 mV below  $V_{LED}$ . This forces the output of C2 low, which shuts off output transistor Q2, extinguishing LED #10.

$V_{LED}$  is sensed via the 20k resistor connected to pin 11. The very small current (less than 100  $\mu\text{A}$ ) that is diverted from LED #9 does not noticeably affect its intensity.

An auxiliary current source at pin 1 keeps at least 100  $\mu\text{A}$  flowing through LED #11 even if the input voltage rises high enough to extinguish the LED. This ensures that pin 9 of driver #1 is held low enough to force LED #10 off when *any* higher LED is illuminated. While 100  $\mu\text{A}$  does not normally produce significant LED illumination, it may be noticeable when using high-efficiency LEDs in a dark environment. If this is bothersome, the simple cure is to shunt LED #11 (and LED #1) with a 10k resistor. The 1V 1R drop is more than the 900 mV worst case required to hold off LED #10 yet small enough that LED #11 does not conduct significantly.

In some circuits a number of outputs on the higher device are not used. Examples include the high resolution VU meter and the expanded range VU meter circuits (see [Typical Applications](#)). To provide the proper carry sense voltage in dot mode, the LEDs of the higher driver IC are tied to  $V_{LED}$  through two series-connected diodes as shown in Figure 17. Shunting the diodes with a 1k resistor provides a path for driver leakage current.

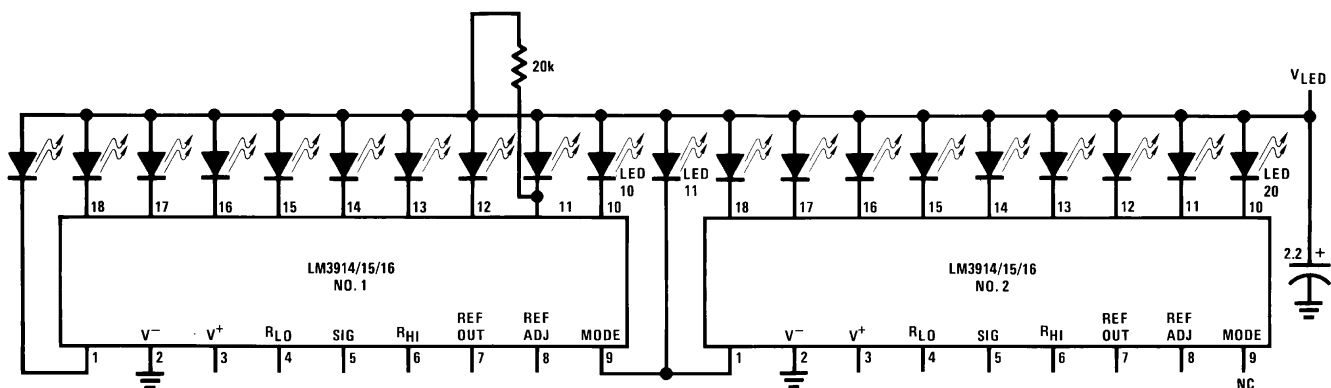


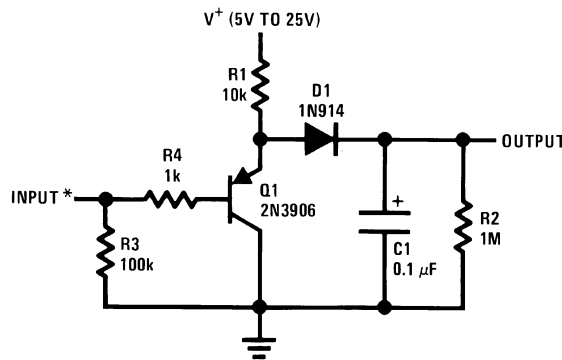
Figure 16. Cascading LM3914/15/16 Series in Dot Mode



True average or peak detection requires rectification. If an LM3916 is set up with 10V full scale across its voltage divider, the turn-on point for the first LED is only 450 mV. A simple silicon diode rectifier won't work well at the low end due to the 600 mV diode threshold. The half-wave peak detector in Figure 18 uses a PNP emitter-follower in front of the diode. Now, the transistor's base-emitter voltage cancels out the diode offset, within about 100 mV. This approach is usually satisfactory when a single LM3916 is used for a 23 dB display.

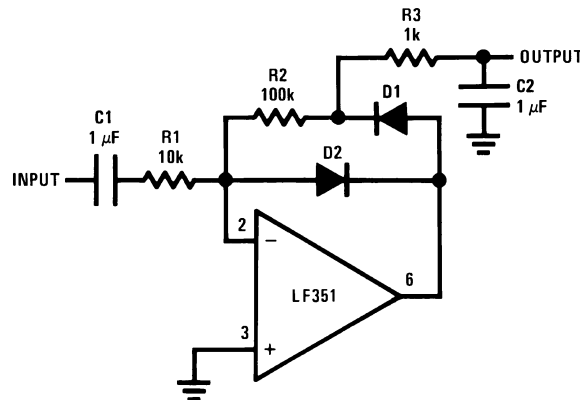
Display circuits such as the extended range VU meter using two or more drivers for a dynamic range of 40 dB or greater require more accurate detection. In the precision half-wave rectifier of Figure 19 the effective diode offset is reduced by a factor equal to the open-loop gain of the op amp. Filter capacitor C2 charges through R3 and discharges through R2 and R3, so that appropriate selection of these values results in either a peak or an average detector. The circuit has a gain equal to R2/R1.

It's best to capacitively couple the input. Audio sources frequently have a small DC offset that can cause significant error at the low end of the log display. Op amps that slew quickly, such as the LF351, LF353 or LF356, are needed to faithfully respond to sudden transients. It may be necessary to trim out the op amp DC offset voltage to accurately cover a 60 dB range. Best results are obtained if the circuit is adjusted for the correct output when a low-level AC signal (10 to 20 mV) is applied, rather than adjusting for zero output with zero input.



\*DC Couple

Figure 18. Half-Wave Peak Detector



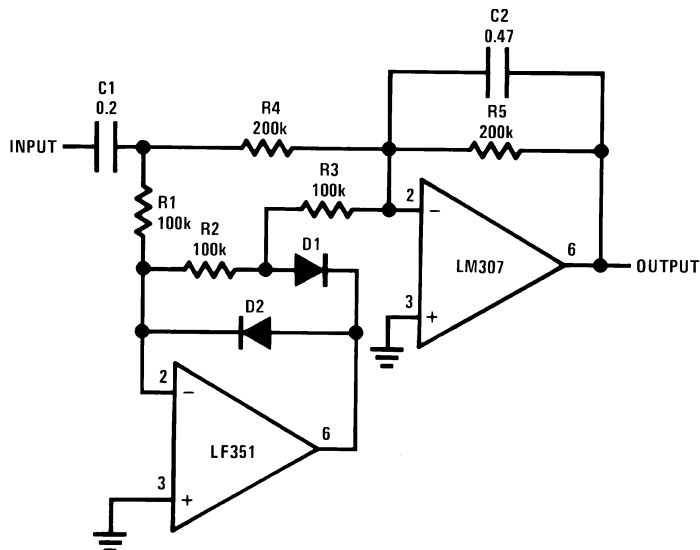
D1, D2: 1N914 or 1N4148

	Average	Peak
R2	1k	100k
R3	100k	1k

R1 = R2 for  $A_V = 1$   
 R1 = R2/10 for  $A_V = 10$   
 C1 = 10/R1

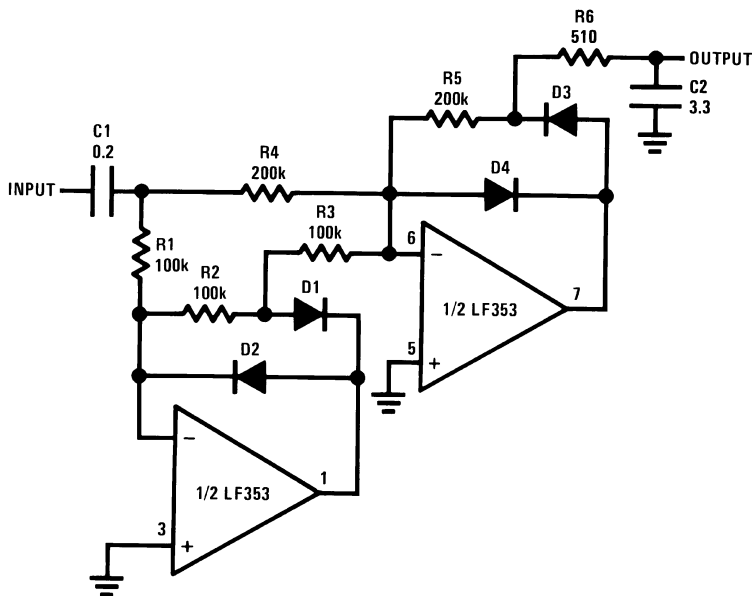
Figure 19. Precision Half-Wave Rectifier

For precision full-wave averaging use the circuit in [Figure 20](#). Using 1% resistors for R1 through R4, gain for positive and negative signal differs by only 0.5 dB worst case. Substituting 5% resistors increases this to 2 dB worst case. (A 2 dB gain difference means that the display may have a  $\pm 1$  dB error when the input is a nonsymmetrical transient). The averaging time constant is  $R5 \cdot C2$ . A simple modification results in the precision full-wave detector of [Figure 21](#). Since the filter capacitor is not buffered, this circuit can drive only high impedance loads such as the input of an LM3916.



D1, D2: 1N914 or 1N4148

**Figure 20. Precision Full-Wave Average Detector**



D1, D2, D3, D4: 1N914 OR 1N4148

Attack and decay time to DIN PPM spec. Response down 1 dB for 10 ms tone burst. Decays 20 dB in 1.5s.

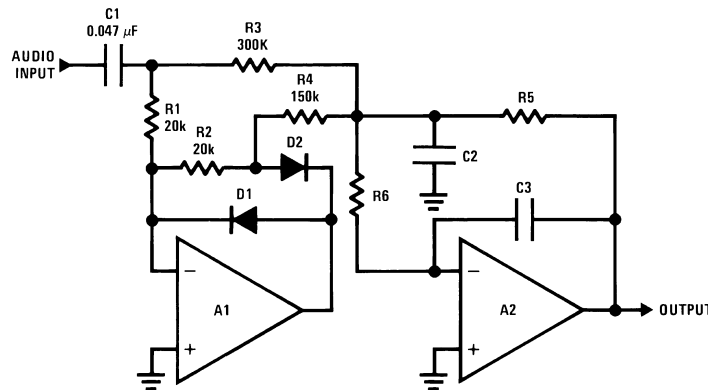
**Figure 21. Precision Full-Wave Peak Detector**

## AUDIO METER STANDARDS

### VU Meter

The audio level meter most frequently encountered is the VU meter. Its characteristics are defined as the ANSI specification C165. The LM3916's outputs correspond to the meter indications specified with the omission of the -2 VU indication. The VU scale divisions differ slightly from a linear scale in order to obtain whole numbers in dB.

Some of the most important specifications for an AC meter are its dynamic characteristics. These define how the meter responds to transients and how fast the reading decays. The VU meter is a relatively slow full-wave averaging type, specified to reach 99% deflection in 300 ms and overshoot by 1 to 1.5%. In engineering terms this means a slightly underdamped second order response with a resonant frequency of 2.1 Hz and a Q of 0.62. [Figure 22](#) depicts a simple rectifier/filter circuit that meets these criteria.



#### Design Equations

$$\frac{1}{R5 \cdot R6 \cdot C2 \cdot C3} = \omega_0^2 = 177 \text{ sec}^{-2}$$

$$\frac{1}{C2} \left( \frac{1}{R3} + \frac{1}{R4} + \frac{1}{R5} + \frac{1}{R6} \right) = \frac{\omega_0}{Q} = 21.5 \text{ sec}^{-1}$$

$$R3 = 2R4$$

$$R1 = R2 \ll R4$$

A1, A2: 1/2 LF353

D1, D2: 1N914 OR 1N4148

\*Reaches 99% level at 300 ms after applied tone burst and overshoots 1.2%.

GAIN	R5	R6	C2	C3
1	100k	43k	2.0	0.56 μF
10	1M	100k	1.0	0.056 μF

**Figure 22. Full-Wave Average Detector to VU Meter Specifications\***

### Peak Program Meter

The VU meter, originally intended for signals sent via telephone lines, has shortcomings when used in high fidelity systems. Due to its slow response time, a VU meter will not accurately display transients that can saturate a magnetic tape or drive an amplifier into clipping. The fast-attack peak program meter (PPM) which does not have this problem is becoming increasingly popular.

While several European organizations have specifications for peak program meters, the German DIN specification 45406 is becoming a de facto standard. Rather than respond instantaneously to peak, however, PPM specifications require a finite "integration time" so that only peaks wide enough to be audible are displayed. DIN 45406 calls for a response of 1 dB down from steady-state for a 10 ms tone burst and 4 dB down for a 3 ms tone burst. These requirements are consistent with the other frequently encountered spec of 2 dB down for a 5 ms burst and are met by an attack time constant of 1.7 ms.

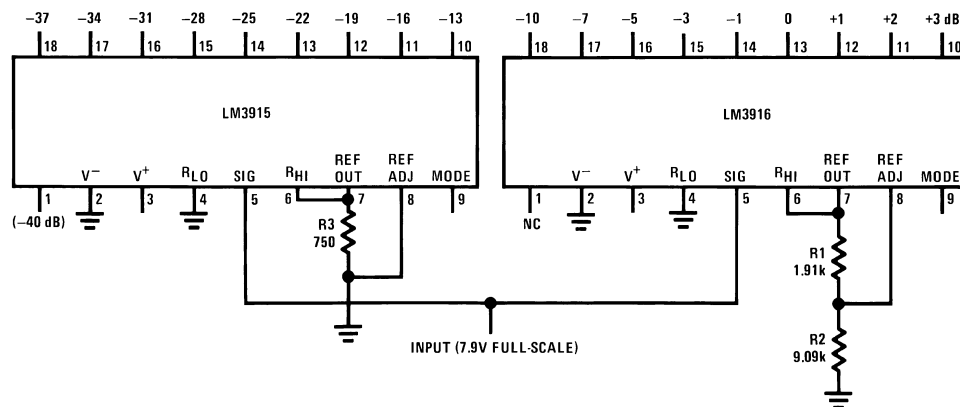
The specified return time of 1.5s to -20 dB requires a 650 ms decay time constant. The full-wave peak detector of Figure 21 satisfies both the attack and decay time criteria.

### Cascading The LM3916

The LM3916 by itself covers the 23 dB range of the conventional VU meter. To display signals of 40 dB or 70 dB dynamic range, the LM3916 may be cascaded with the 3 dB/step LM3915s. Alternatively, two LM3916s may be cascaded for increased resolution over a 28 dB range. Refer to the Extended Range VU Meter and High Resolution VU Meter in the Typical Applications section for the complete circuits for both dot and bar mode displays.

To obtain a display that makes sense when an LM3915 and an LM3916 are cascaded, the -20 dB output from the LM3916 is dropped. The full-scale display for the LM3915 is set at 3 dB below the LM3916's -10 dB output and the rest of the thresholds continue the 3 dB/step spacing. A simple, low cost approach is to set the reference voltage of the two chips 16 dB apart as in Figure 20. The LM3915, with pin 8 grounded, runs at 1.25V full-scale. R1 and R2 set the LM3916's reference 16 dB higher or 7.89V. Variation in the two on-chip references and resistor tolerance may cause a ±1 dB error in the -10 dB to -13 dB transition. If this is objectionable, R2 can be trimmed.

The drawback of the aforementioned approach is that the threshold of LED #1 on the LM3915 is only 56 mV. Since comparator offset voltage may be as high as 10 mV, large errors can occur at the first few thresholds. A better approach, as shown in Figure 24, is to keep the reference the same for both drivers (10V in the example) and amplify the input signal by 16 dB ahead of the LM3915. Alternatively, instead of amplifying, input signals of sufficient amplitude can be fed directly to the LM3916 and attenuated by 16 dB to drive the LM3915.



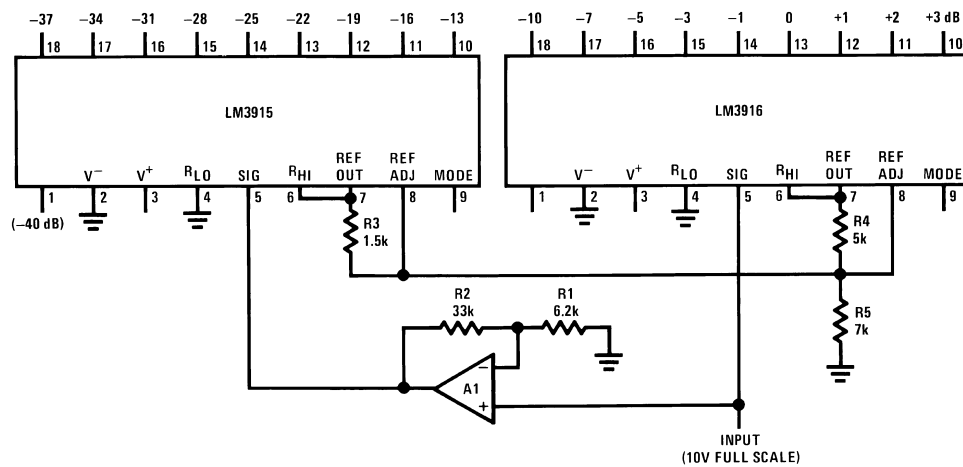
$$V_{REF2} \approx 7.89V$$

Figure 23. Low Cost Circuit for 40 dB Display

$$V_{REF1} = 1.25V$$

$$\frac{7.89V}{1.25} = 6.31 = -16 \text{ dB}$$

(1)



**Figure 24. Improved Circuit for 40 dB Display**

$$\frac{R1 + R2}{R1} = 6.31$$

$$= 16 \text{ dB} \quad (2)$$

To extend this approach to get a 70 dB display, another 30 dB of amplification must be placed in the signal path ahead of the lowest LM3915. Extreme care is required as the lowest LM3915 displays input signals down to 2 mV! Several offset nulls may be required. High currents should not share the same path as the low level signal. Also power line wiring should be kept away from signal lines.

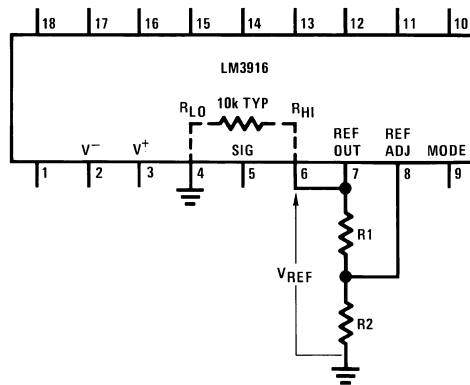
## TIPS ON REFERENCE VOLTAGE AND LED CURRENT PROGRAMMING

### Single Driver

The equations in [Figure 25](#) illustrate how to choose resistor values to set reference voltage for the simple case where no LED intensity adjustment is required. A LED current of 10 mA to 20 mA generally produces adequate illumination. Having 10V full-scale across the internal voltage divider gives best accuracy by keeping signal level high relative to the offset voltage of the internal comparators. However, this causes 1 mA to flow from pin 7 into the divider which means that the LED current will be at least 10 mA. R1 will typically be between 1 kΩ and 5 kΩ. To trim the reference voltage, vary R2.

The current in [Figure 26](#) shows how to add a LED intensity control which can vary LED current from 5 mA to 28 mA. Choosing  $V_{REF} = 5V$  lowers the current drawn by the ladder, increasing the intensity adjustment range. The reference adjustment has some effect on LED intensity but the reverse is not true.



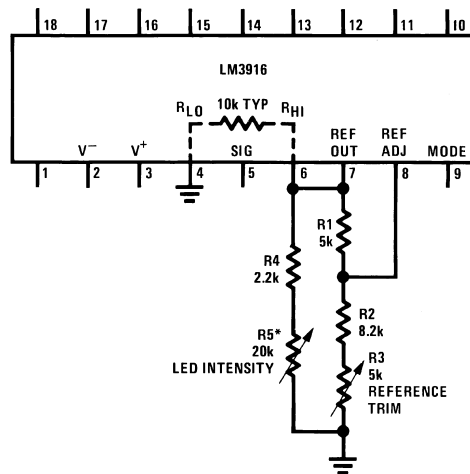


Adjust R2 to vary  $V_{REF}$

$$\text{Pick } R1 = \frac{12.5V}{I_{LED} - V_{REF}/1 \text{ k}\Omega}$$

$$\text{Pick } R2 = \frac{(V_{REF} - 1.25V)}{1.25V/R1 + 0.08 \text{ mA}}$$

Figure 25. Design Equations for Fixed LED Intensity



$$5 \text{ mA} \leq I_{LED} \leq 28 \text{ mA} @ V_{REF} = 5V$$

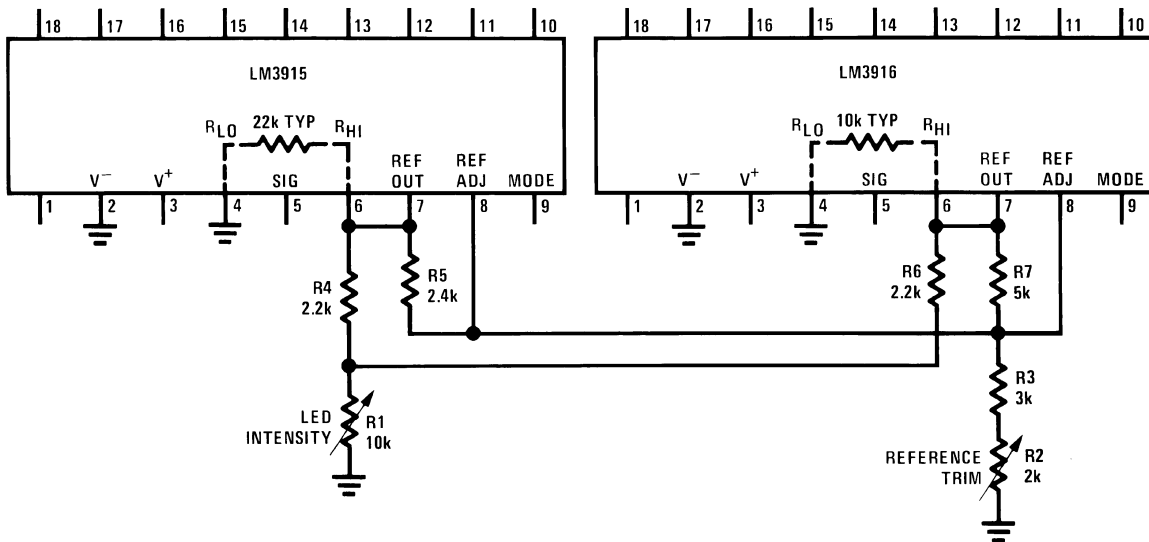
Figure 26. Varying LED Intensity

### Multiple Drivers

Figure 27 shows how to obtain a common reference trim and intensity control for two drivers. The two ICs may be connected in cascade or may be handling separate channels for stereo. This technique can be extended for larger numbers of drivers by varying the values of R1, R2 and R3. Because the LM3915 has a greater ladder resistance, R5 was picked less than R7 in such a way as to provide equal reference load currents. The ICs' internal references track within 100 mV so that worst case error from chip to chip is only 0.2 dB for  $V_{REF} = 5V$ .

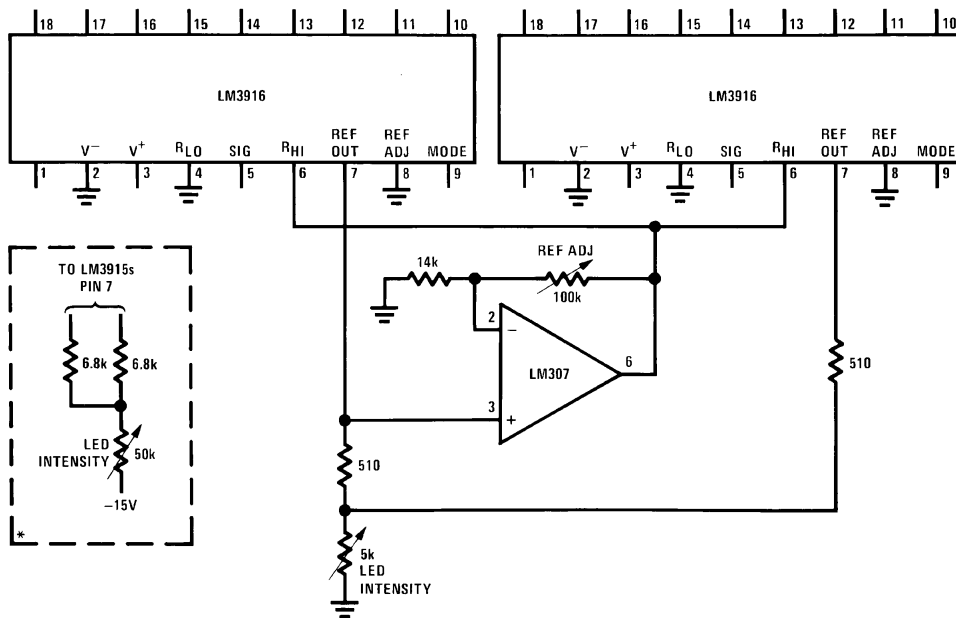
The scheme in Figure 28 is useful when the reference and LED intensity must be adjusted independently over a wide range. The  $R_{HI}$  voltage can be adjusted from 1.2V to 10V with no effect on LED current. Since the internal divider here does not load down the reference, minimum LED current is much lower. At the minimum recommended reference load of 80  $\mu A$ , LED current is about 0.8 mA. The resistor values shown give a LED current range from 1.5 mA to 25 mA.

At the low end of the intensity adjustment, the voltage drop across the 510Ω current-sharing resistors is so small that chip to chip variation in reference voltage may yield a visible variation in LED intensity. The optional approach shown of connecting the bottom end of the intensity control pot to a negative supply overcomes this problem by allowing a larger voltage drop across the (larger) current-sharing resistors.



$5 \text{ mA} \leq I_{LED} \leq 28 \text{ mA}$   
 $V_{REF} = 5V$

Figure 27. Independent Adjustment of Reference Voltage and LED Intensity for Multiple Drivers



$1.25V \leq V_{REF} \leq 10V$   
 $1.5 \text{ mA} \leq I_{LED} \leq 25 \text{ mA}$   
 Optional circuit for improved intensity matching at low currents. See text.

Figure 28. Wide-Range Adjustment of Reference Voltage and LED Intensity for Multiple Drivers

### Other Applications

For increased resolution, it's possible to obtain a display with a smooth transition between LEDs. This is accomplished by superimposing an AC waveform on top of the input level as shown in [Figure 29](#). The signal can be a triangle, sawtooth or sine wave from 60 Hz to 1 kHz. The display can be run in either dot or bar mode.

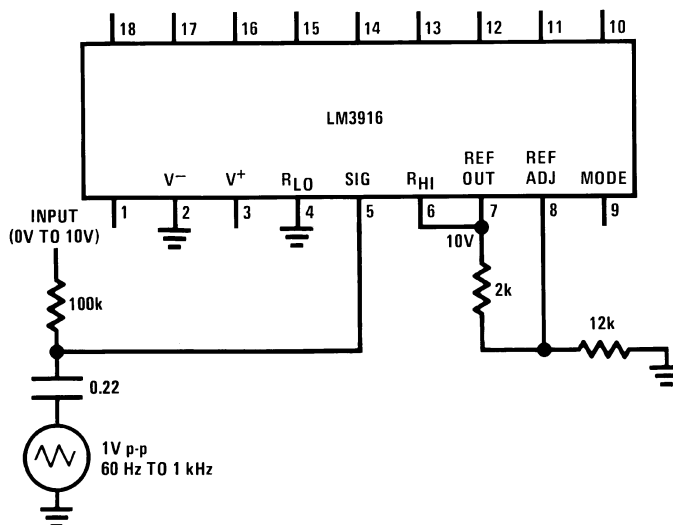
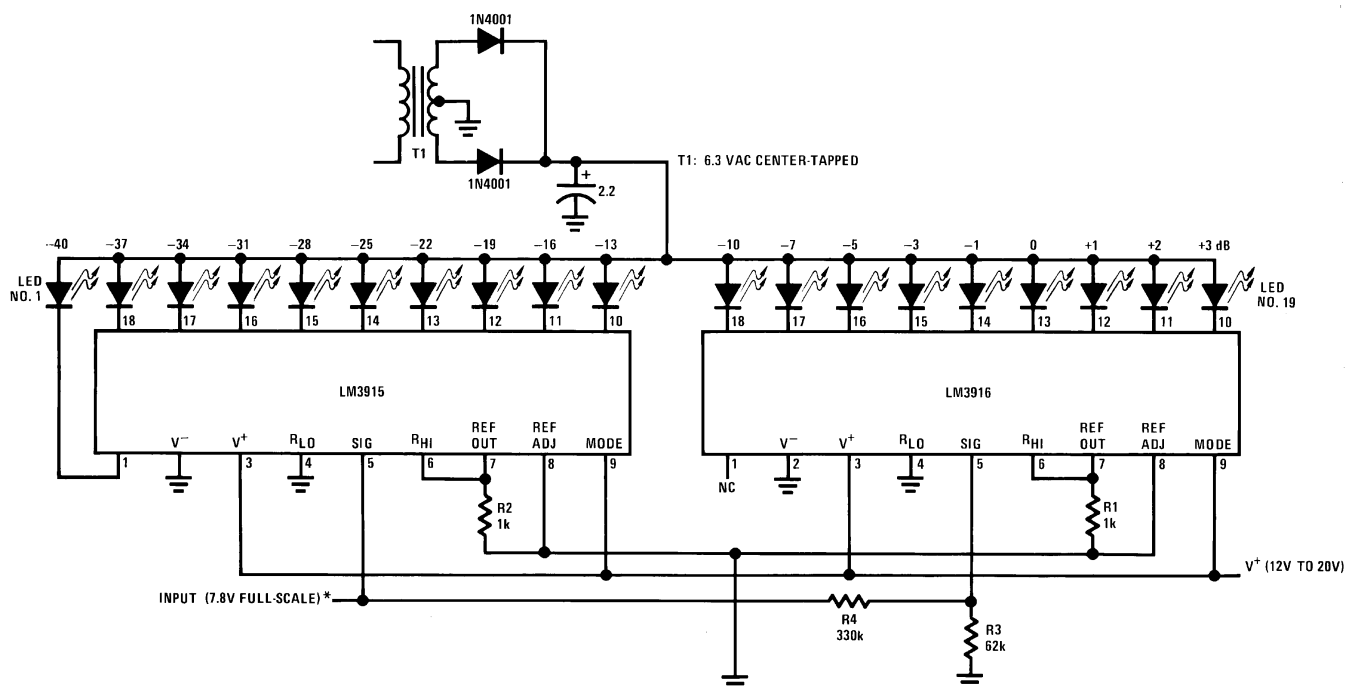


Figure 29. 0V to 10V VU Meter with Smooth Transitions

### Typical Applications



This application shows that the LED supply requires minimal filtering.

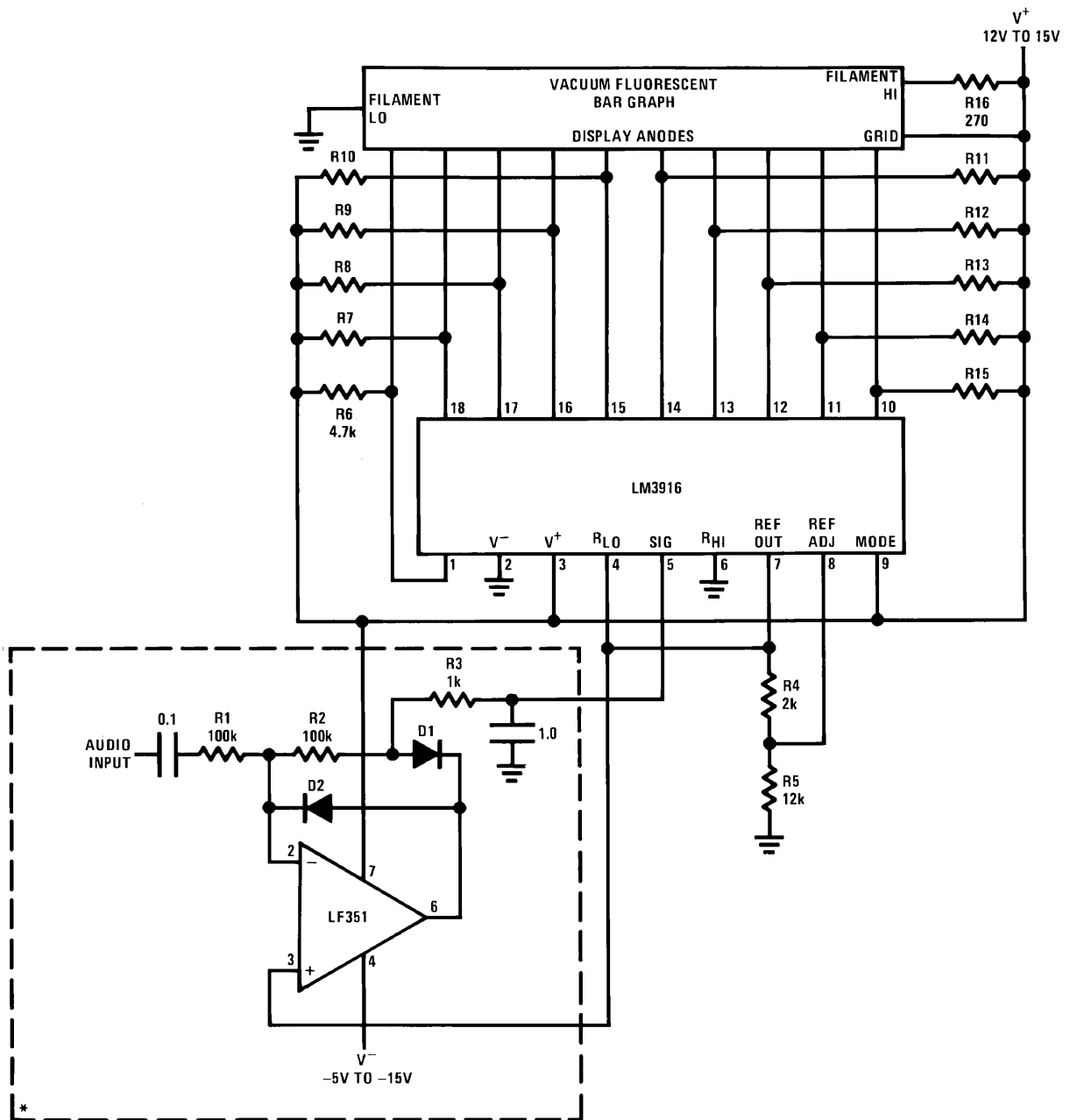
\*See [Application Hints](#) for optional Peak or Average Detector.

†Adjust R3 for 3 dB difference between LED #11 and LED #12

$$\frac{R3}{R3 + R4} = 0.158 = -16 \text{ dB}$$

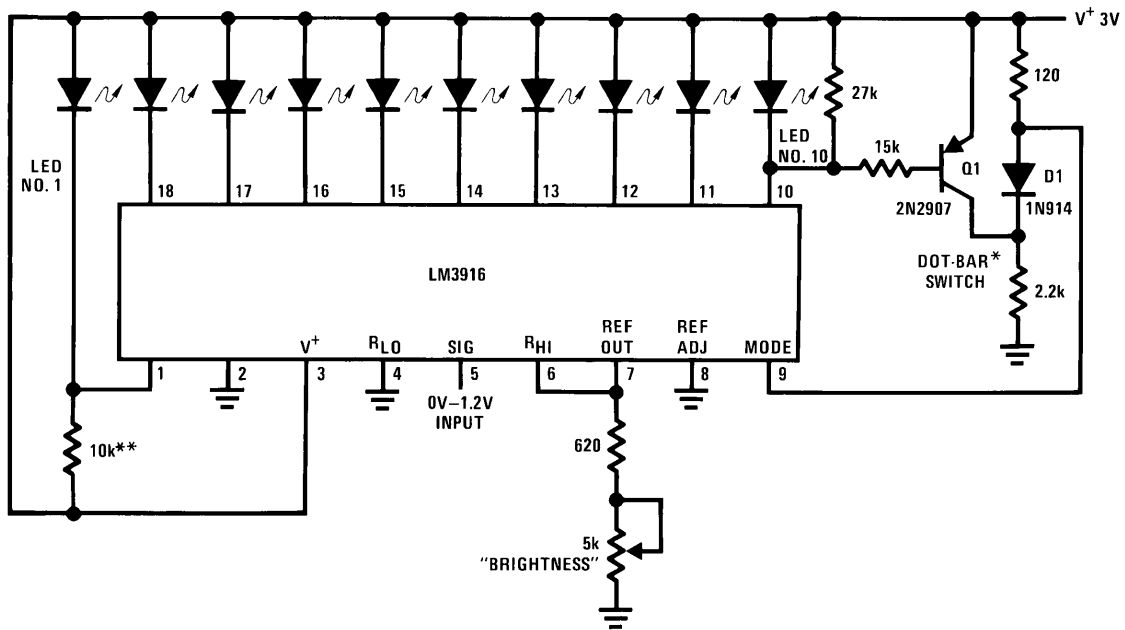
Figure 30. Extended Range VU Meter (Dot Mode)





R7 thru R15: 10k±10%  
 D1, D2: 1N914 or 1N4148  
 \*Half-wave peak detector.  
 See [Application Hints](#).

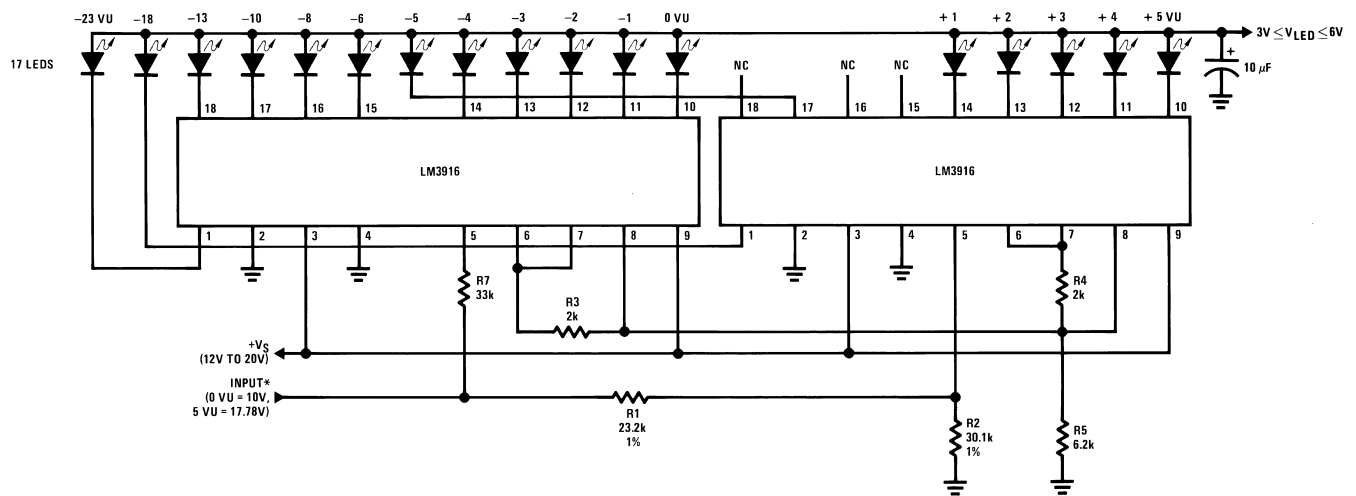
Figure 32. Driving Vacuum Fluorescent Display



\*The input to the Dot-Bar switch may be taken from cathodes of other LEDs. Display will change to bar as soon as the LED so selected begins to light.

\*\*Optional. Shunts 100 μA auxiliary sink current away from LED #1.

Figure 33. Indicator and Alarm, Full-Scale Changes Display From Dot to Bar

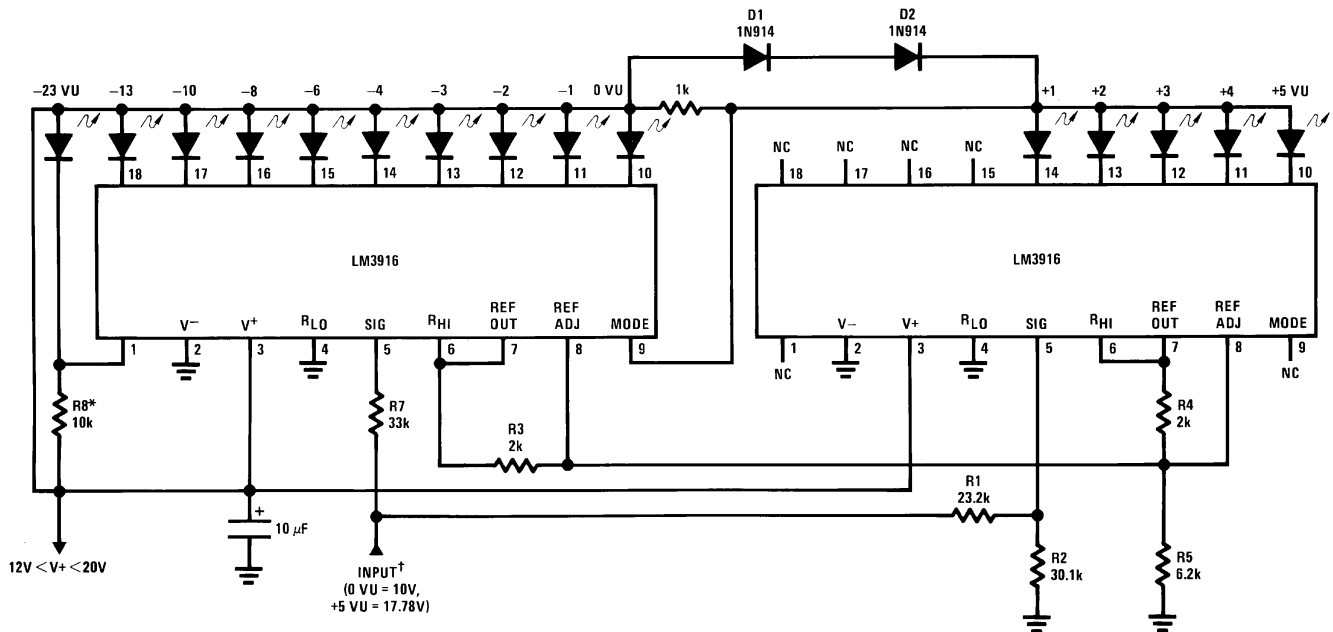


\*See Application Hints for optional peak or average detector.

$$\frac{R2}{R1 + R2} \cong 0.562 = -5 \text{ dB}$$

$$\text{or } R1 \cong 0.788 \cdot R2$$

Figure 34. High Resolution VU Meter (Bar Mode)



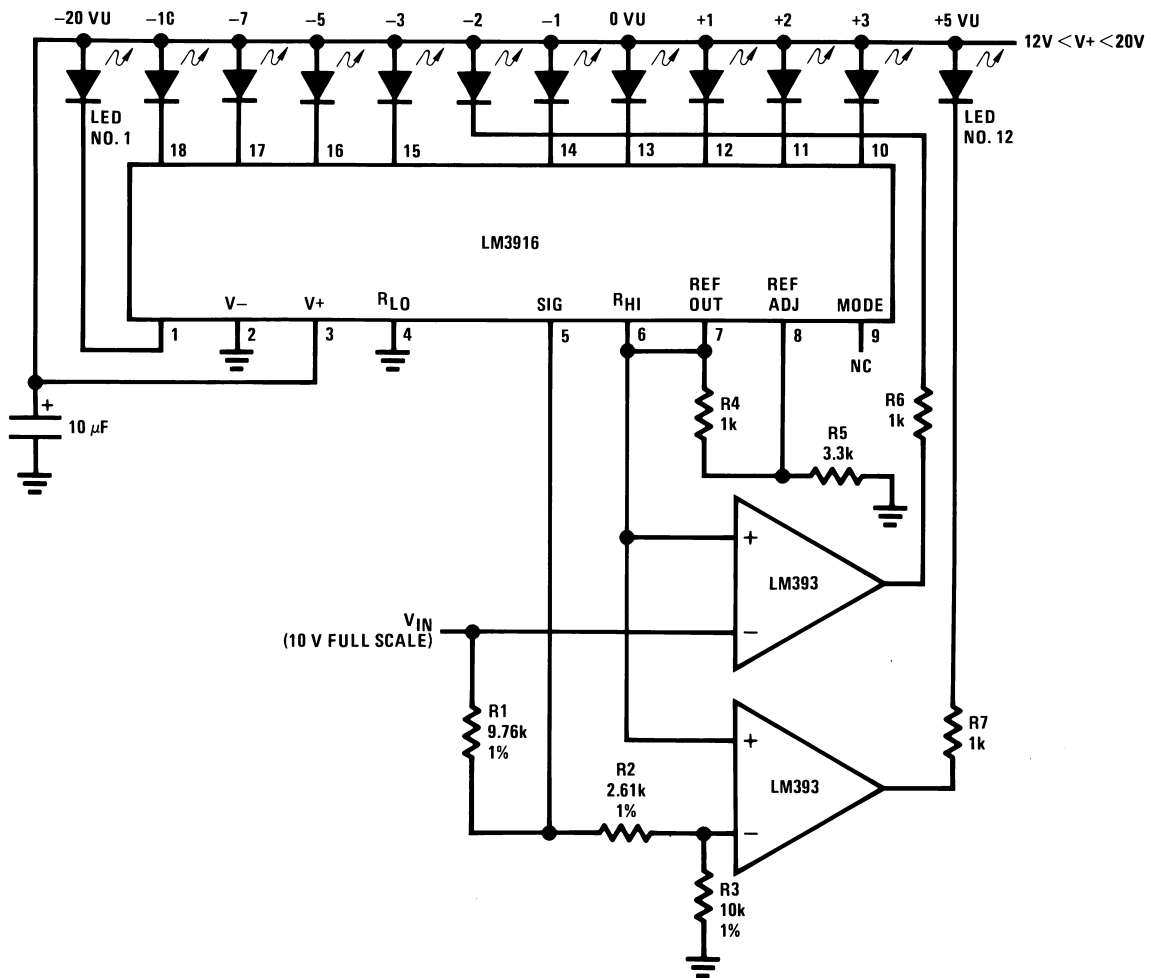
\*Optional shunts 100  $\mu$ A auxiliary sink current away from LED #1.

†See [Application Hints](#) for optional peak or average detector.

$$\frac{R2}{R1 + R2} \cong 0.562 = -5 \text{ dB}$$

$$\text{or } R1 \cong 0.788 \cdot R2$$

**Figure 35. High Resolution VU Meter (Dot Mode)**



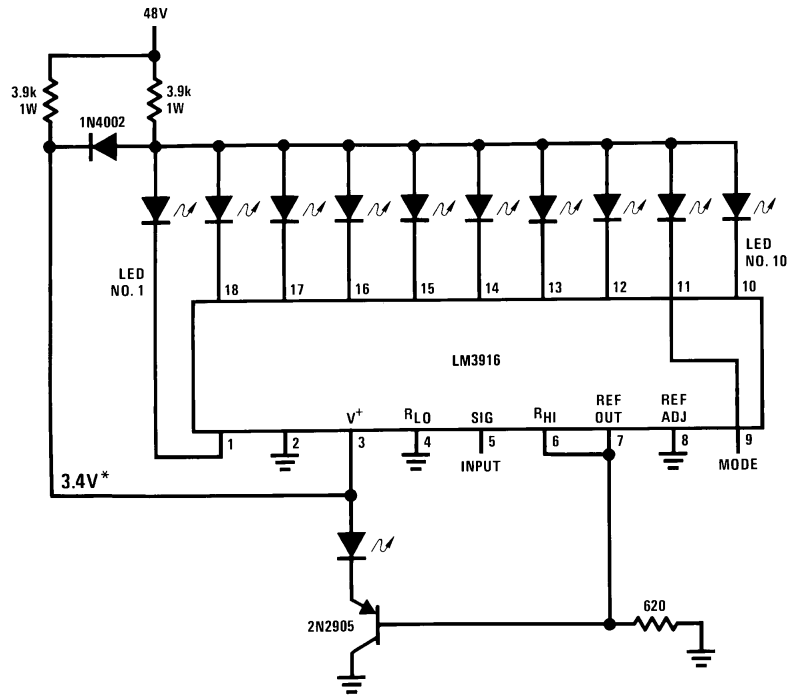
$$\frac{R3}{R2 + R3} \cong 0.794 = -2 \text{ dB}$$

$$\frac{R2 + R3}{R1 + R2 + R3} \cong 0.562 = -5 \text{ dB}$$

or  $R2 = 0.259 \cdot R3$   
and  $R1 = 0.979 \cdot R3$

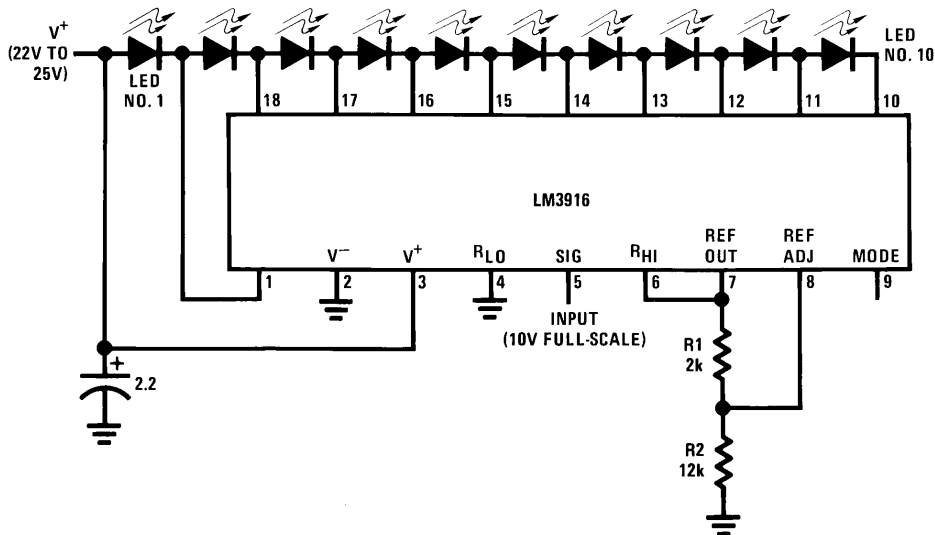
Figure 36. Displaying Additional Levels





The LED currents are approximately 10 mA, and LM3916 outputs operate in saturation for minimum dissipation.  
 \*This point is partially regulated and decreases in voltage with temperature. Voltage requirements of the LM3916 also decrease with temperature.

**Figure 37. Operating with a High Voltage Supply (Dot Mode Only)**



Supply current drain is only 20 mA with ten LEDs illuminated @ 16 mA.

**Figure 38. Low Current Bar Mode Display**

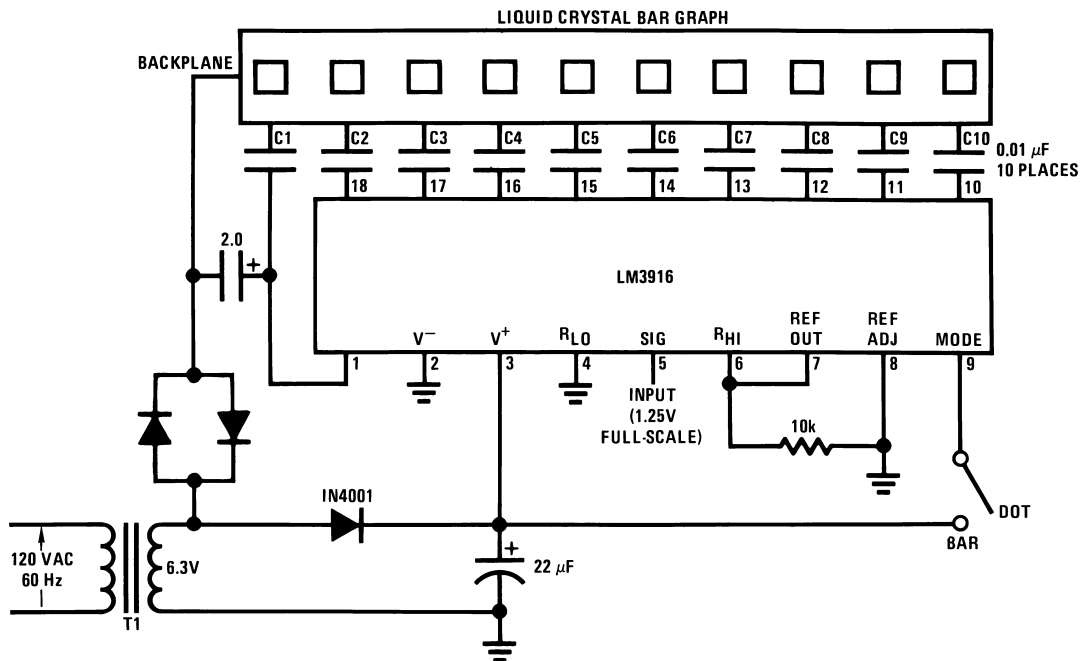
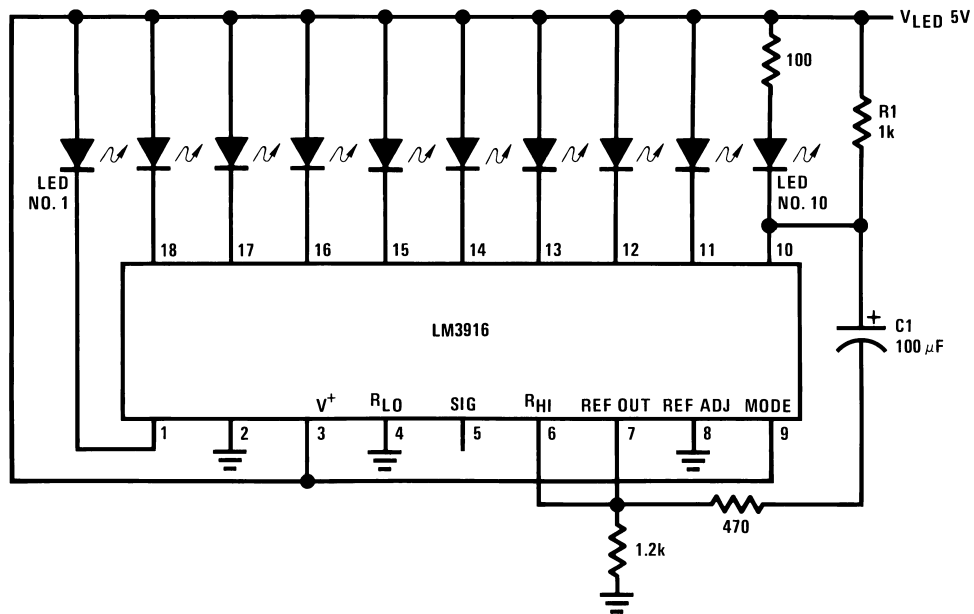


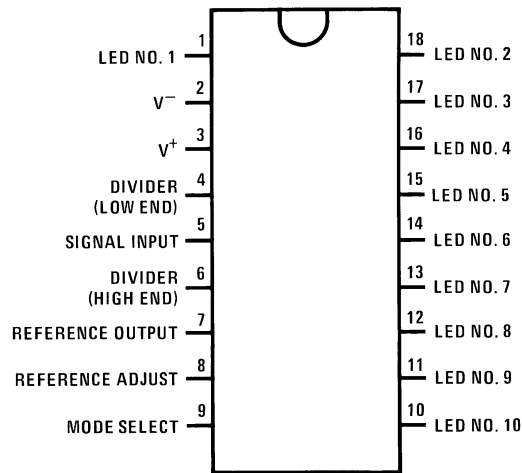
Figure 39. Driving Liquid Crystal Display



Full-scale causes the full bar display to flash. If the junction of R1 and C1 is connected to a different LED cathode, the display will flash when that LED lights, and at any higher input signal.

Figure 40. Bar Display with Alarm Flasher

## Connection Diagram



**Figure 41. Top View  
PDIP Package  
See Package Number NFK0018A**

### Definition of Terms

**Absolute Accuracy:** The difference between the observed threshold voltage and the ideal threshold voltage for each comparator. Specified and tested with 10V across the internal voltage divider so that resistor ratio matching error predominates over comparator offset voltage.

**Adjust Pin Current:** Current flowing out of the reference amplifier pin when the reference amplifier is in the linear region.

**Comparator Gain:** The ratio of the change in output current ( $I_{LED}$ ) to the change in input voltage ( $V_{IN}$ ) required to produce it for a comparator in the linear region.

**Dropout Voltage:** The voltage measured at the current source outputs required to make the output current fall by 10%.

**Input Bias Current:** Current flowing out of the signal input when the input buffer is in the linear region.

**LED Current Regulation:** The change in output current over the specified range of LED supply voltage ( $V_{LED}$ ) as measured at the current source outputs. As the forward voltage of an LED does not change significantly with a small change in forward current, this is equivalent to changing the voltage at the LED anodes by the same amount.

**Line Regulation:** The average change in reference output voltage ( $V_{REF}$ ) over the specified range of supply voltage ( $V^+$ ).

**Load Regulation:** The change in reference output voltage over the specified range of load current ( $I_{L(REF)}$ ).

**Offset Voltage:** The differential input voltage which must be applied to each comparator to bias the output in the linear region. Most significant error when the voltage across the internal voltage divider is small. Specified and tested with pin 6 voltage ( $V_{RHI}$ ) equal to pin 4 voltage ( $V_{RLO}$ ).

**Relative Accuracy:** The difference between any two adjacent threshold points. Specified and tested with 10V across the internal voltage divider so that resistor ratio matching error predominates over comparator offset voltage.

## REVISION HISTORY

Changes from Revision A (March 2013) to Revision B	Page
• Changed layout of National Data Sheet to TI format .....	<a href="#">27</a>

**PACKAGING INFORMATION**

Orderable Device	Status (1)	Package Type	Package Drawing	Pins	Package Qty	Eco Plan (2)	Lead/Ball Finish	MSL Peak Temp (3)	Op Temp (°C)	Device Marking (4/5)	Samples
LM3916N-1	ACTIVE	PDIP	NFK	18	20	TBD	Call TI	Call TI	0 to 70	LM3916N-1	<a href="#">Samples</a>
LM3916N-1/NOPB	ACTIVE	PDIP	NFK	18	20	Green (RoHS & no Sb/Br)	Call TI	Level-1-NA-UNLIM	0 to 70	LM3916N-1	<a href="#">Samples</a>

(1) The marketing status values are defined as follows:

**ACTIVE:** Product device recommended for new designs.

**LIFEBUY:** TI has announced that the device will be discontinued, and a lifetime-buy period is in effect.

**NRND:** Not recommended for new designs. Device is in production to support existing customers, but TI does not recommend using this part in a new design.

**PREVIEW:** Device has been announced but is not in production. Samples may or may not be available.

**OBSELETE:** TI has discontinued the production of the device.

(2) Eco Plan - The planned eco-friendly classification: Pb-Free (RoHS), Pb-Free (RoHS Exempt), or Green (RoHS & no Sb/Br) - please check <http://www.ti.com/productcontent> for the latest availability information and additional product content details.

**TBD:** The Pb-Free/Green conversion plan has not been defined.

**Pb-Free (RoHS):** TI's terms "Lead-Free" or "Pb-Free" mean semiconductor products that are compatible with the current RoHS requirements for all 6 substances, including the requirement that lead not exceed 0.1% by weight in homogeneous materials. Where designed to be soldered at high temperatures, TI Pb-Free products are suitable for use in specified lead-free processes.

**Pb-Free (RoHS Exempt):** This component has a RoHS exemption for either 1) lead-based flip-chip solder bumps used between the die and package, or 2) lead-based die adhesive used between the die and leadframe. The component is otherwise considered Pb-Free (RoHS compatible) as defined above.

**Green (RoHS & no Sb/Br):** TI defines "Green" to mean Pb-Free (RoHS compatible), and free of Bromine (Br) and Antimony (Sb) based flame retardants (Br or Sb do not exceed 0.1% by weight in homogeneous material)

(3) MSL, Peak Temp. -- The Moisture Sensitivity Level rating according to the JEDEC industry standard classifications, and peak solder temperature.

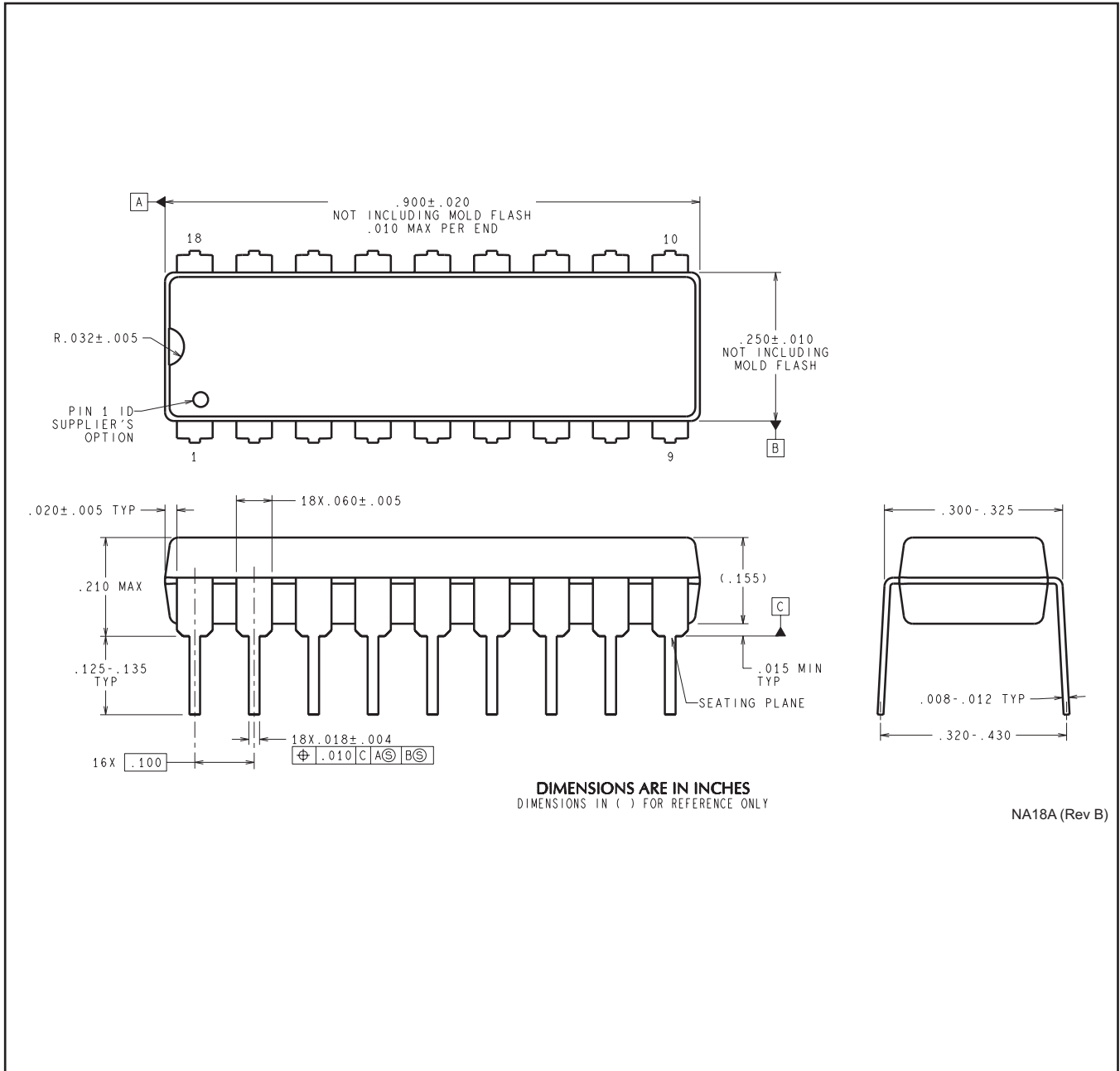
(4) There may be additional marking, which relates to the logo, the lot trace code information, or the environmental category on the device.

(5) Multiple Device Markings will be inside parentheses. Only one Device Marking contained in parentheses and separated by a "~" will appear on a device. If a line is indented then it is a continuation of the previous line and the two combined represent the entire Device Marking for that device.

**Important Information and Disclaimer:** The information provided on this page represents TI's knowledge and belief as of the date that it is provided. TI bases its knowledge and belief on information provided by third parties, and makes no representation or warranty as to the accuracy of such information. Efforts are underway to better integrate information from third parties. TI has taken and continues to take reasonable steps to provide representative and accurate information but may not have conducted destructive testing or chemical analysis on incoming materials and chemicals. TI and TI suppliers consider certain information to be proprietary, and thus CAS numbers and other limited information may not be available for release.

In no event shall TI's liability arising out of such information exceed the total purchase price of the TI part(s) at issue in this document sold by TI to Customer on an annual basis.

NFK0018A



## IMPORTANT NOTICE

Texas Instruments Incorporated and its subsidiaries (TI) reserve the right to make corrections, enhancements, improvements and other changes to its semiconductor products and services per JESD46, latest issue, and to discontinue any product or service per JESD48, latest issue. Buyers should obtain the latest relevant information before placing orders and should verify that such information is current and complete. All semiconductor products (also referred to herein as "components") are sold subject to TI's terms and conditions of sale supplied at the time of order acknowledgment.

TI warrants performance of its components to the specifications applicable at the time of sale, in accordance with the warranty in TI's terms and conditions of sale of semiconductor products. Testing and other quality control techniques are used to the extent TI deems necessary to support this warranty. Except where mandated by applicable law, testing of all parameters of each component is not necessarily performed.

TI assumes no liability for applications assistance or the design of Buyers' products. Buyers are responsible for their products and applications using TI components. To minimize the risks associated with Buyers' products and applications, Buyers should provide adequate design and operating safeguards.

TI does not warrant or represent that any license, either express or implied, is granted under any patent right, copyright, mask work right, or other intellectual property right relating to any combination, machine, or process in which TI components or services are used. Information published by TI regarding third-party products or services does not constitute a license to use such products or services or a warranty or endorsement thereof. Use of such information may require a license from a third party under the patents or other intellectual property of the third party, or a license from TI under the patents or other intellectual property of TI.

Reproduction of significant portions of TI information in TI data books or data sheets is permissible only if reproduction is without alteration and is accompanied by all associated warranties, conditions, limitations, and notices. TI is not responsible or liable for such altered documentation. Information of third parties may be subject to additional restrictions.

Resale of TI components or services with statements different from or beyond the parameters stated by TI for that component or service voids all express and any implied warranties for the associated TI component or service and is an unfair and deceptive business practice. TI is not responsible or liable for any such statements.

Buyer acknowledges and agrees that it is solely responsible for compliance with all legal, regulatory and safety-related requirements concerning its products, and any use of TI components in its applications, notwithstanding any applications-related information or support that may be provided by TI. Buyer represents and agrees that it has all the necessary expertise to create and implement safeguards which anticipate dangerous consequences of failures, monitor failures and their consequences, lessen the likelihood of failures that might cause harm and take appropriate remedial actions. Buyer will fully indemnify TI and its representatives against any damages arising out of the use of any TI components in safety-critical applications.

In some cases, TI components may be promoted specifically to facilitate safety-related applications. With such components, TI's goal is to help enable customers to design and create their own end-product solutions that meet applicable functional safety standards and requirements. Nonetheless, such components are subject to these terms.

No TI components are authorized for use in FDA Class III (or similar life-critical medical equipment) unless authorized officers of the parties have executed a special agreement specifically governing such use.

Only those TI components which TI has specifically designated as military grade or "enhanced plastic" are designed and intended for use in military/aerospace applications or environments. Buyer acknowledges and agrees that any military or aerospace use of TI components which have **not** been so designated is solely at the Buyer's risk, and that Buyer is solely responsible for compliance with all legal and regulatory requirements in connection with such use.

TI has specifically designated certain components as meeting ISO/TS16949 requirements, mainly for automotive use. In any case of use of non-designated products, TI will not be responsible for any failure to meet ISO/TS16949.

### Products

Audio	<a href="http://www.ti.com/audio">www.ti.com/audio</a>
Amplifiers	<a href="http://amplifier.ti.com">amplifier.ti.com</a>
Data Converters	<a href="http://dataconverter.ti.com">dataconverter.ti.com</a>
DLP® Products	<a href="http://www.dlp.com">www.dlp.com</a>
DSP	<a href="http://dsp.ti.com">dsp.ti.com</a>
Clocks and Timers	<a href="http://www.ti.com/clocks">www.ti.com/clocks</a>
Interface	<a href="http://interface.ti.com">interface.ti.com</a>
Logic	<a href="http://logic.ti.com">logic.ti.com</a>
Power Mgmt	<a href="http://power.ti.com">power.ti.com</a>
Microcontrollers	<a href="http://microcontroller.ti.com">microcontroller.ti.com</a>
RFID	<a href="http://www.ti-rfid.com">www.ti-rfid.com</a>
OMAP Applications Processors	<a href="http://www.ti.com/omap">www.ti.com/omap</a>
Wireless Connectivity	<a href="http://www.ti.com/wirelessconnectivity">www.ti.com/wirelessconnectivity</a>

### Applications

Automotive and Transportation	<a href="http://www.ti.com/automotive">www.ti.com/automotive</a>
Communications and Telecom	<a href="http://www.ti.com/communications">www.ti.com/communications</a>
Computers and Peripherals	<a href="http://www.ti.com/computers">www.ti.com/computers</a>
Consumer Electronics	<a href="http://www.ti.com/consumer-apps">www.ti.com/consumer-apps</a>
Energy and Lighting	<a href="http://www.ti.com/energy">www.ti.com/energy</a>
Industrial	<a href="http://www.ti.com/industrial">www.ti.com/industrial</a>
Medical	<a href="http://www.ti.com/medical">www.ti.com/medical</a>
Security	<a href="http://www.ti.com/security">www.ti.com/security</a>
Space, Avionics and Defense	<a href="http://www.ti.com/space-avionics-defense">www.ti.com/space-avionics-defense</a>
Video and Imaging	<a href="http://www.ti.com/video">www.ti.com/video</a>

### TI E2E Community

[e2e.ti.com](http://e2e.ti.com)